

712. Posaunenhalstempel DIN 9861

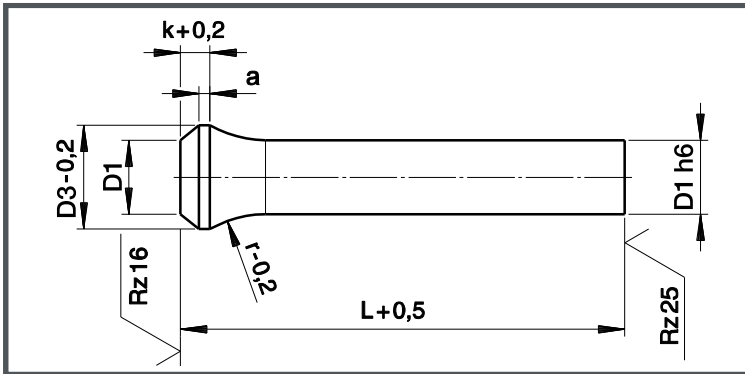
i Produkteigenschaften

Material: HSS (1.3343)

Härte: Schaft: 64 ± 2 HRC
Kopf: 50 ± 5 HRC

Andere Materialien und Abmessungen auf Anfrage.

Zeichnung zu 712.



Bestellbeispiel:

712.1000.080

Schneidstempel mit Posaunenhalstempel, HSS

D1 = 10,0 mm

L = 80,0 mm

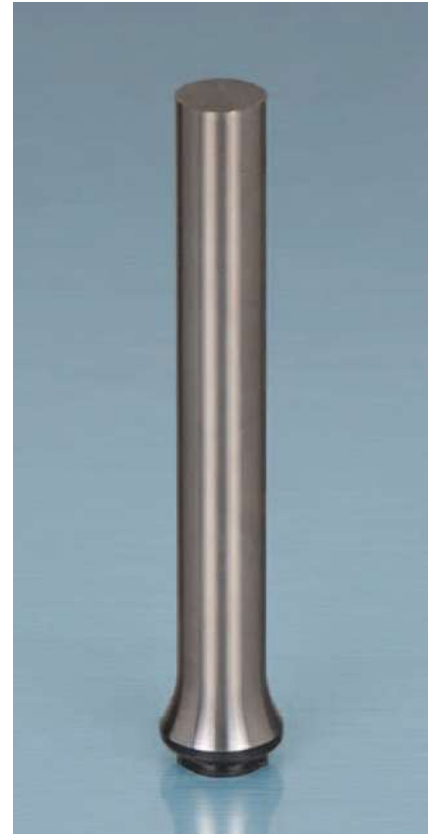


Tabelle zu 712.

D1 h6	D3 -0,2	r -0,2	a	k +0,2	L +0,5			
					71	80	100	130
					Standardlängen			

2,0	3,0	3,5	1,0	3,0	●	●	●	
2,1 - 2,2	3,2	5,0			●	●	●	
2,3 - 2,4	3,5				●	●	●	
2,5					●	●	●	
2,6 - 2,9	4,0	6,5			●	●	●	
3,0	4,5				●	●	●	
3,1 - 3,4					●	●	●	
3,5					●	●	●	
3,6 - 3,9	5,0	8,0			●	●	●	
4,0	5,5				●	●	●	
4,1 - 4,4			●	●	●			
4,5			●	●	●	●		
4,6 - 4,9	6,0		10,0	●	●	●	●	
5,0	7,0			●	●	●	●	
5,1 - 5,4		●		●	●	●		
5,5		●		●	●	●		
5,6 - 5,9	8,0	1,5	4,0	●	●	●	●	
6,0	9,0			●	●	●	●	
6,5	10,0			12,0	●	●	●	●

D1 h6	D3 -0,2	r -0,2	a	k +0,2	L +0,5			
					71	80	100	130
					Standardlängen			

7,0	10,0	12,0	1,5	4,0	●	●	●	●
7,5	11,0				●	●	●	●
8,0	13,0				●	●	●	●
8,5	14,0				●	●	●	●
9,0					●	●	●	●
9,5					●	●	●	●
10,0	15,0				●	●	●	●
10,5					●	●	●	●
11,0					●	●	●	●
11,5					16,0	●	●	●
12,0	17,0	15,0	1,5	4,0	●	●	●	●
13,0					●	●	●	●
14,0					●	●	●	●
14,5					●	●	●	●
15,0					●	●	●	●
16,0					20,0	●	●	●
17,0	21,0				●	●		
18,0	22,0				●	●		
19,0	23,0				●	●		
20,0	25,0				●	●		