

FD03. Federnde Druckstücke mit Kugel und Innensechskant

i Produkteigenschaften

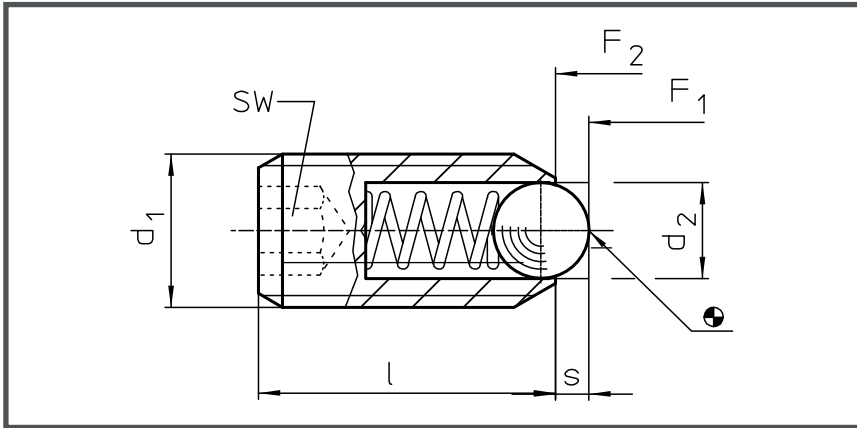
Hülse: -Automatenstahl, brüniert
-Rostfreier Stahl 1.4305

Kugel: -Kugellagerstahl, gehärtet
-Rostfreier Stahl, gehärtet

Feder: -Rostfreier Stahl

Markierung: Bei verstärkter Federkraft
2 Längsmarkierungen

Zeichnung zu FD03.



| Best.-Nr. | Ausführung | d1 | d2 | l | s | SW | Federkraft F1 N = * | Federkraft F2 N = * | g | |
|-----------|--|--|------|-----|-----|------|------------------------|------------------------|--------|------|
| FD03.003 | Automatenstahl, Standard-Federkraft | M3 | 1,5 | 8 | 0,4 | 1,5 | 3,0 | 4,5 | 0,30 | |
| FD03.004 | | M4 | 2,5 | 12 | 0,8 | 2,0 | 8,5 | 14,0 | 0,70 | |
| FD03.005 | | M5 | 3,0 | 14 | 0,9 | 2,5 | 8,0 | 14,0 | 1,20 | |
| FD03.006 | | M6 | 3,5 | 15 | 1,0 | 3,0 | 11,0 | 18,0 | 1,80 | |
| FD03.008 | | M8 | 4,5 | 18 | 1,5 | 4,0 | 18,0 | 31,0 | 3,90 | |
| FD03.010 | | M10 | 6,0 | 23 | 2,0 | 5,0 | 24,0 | 45,0 | 8,10 | |
| FD03.012 | | M12 | 8,0 | 26 | 2,5 | 6,0 | 26,0 | 49,0 | 13,00 | |
| FD03.016 | | M16 | 10,0 | 33 | 3,5 | 8,0 | 41,0 | 86,0 | 32,00 | |
| FD03.020 | | M20 | 12,0 | 43 | 4,5 | 10,0 | 56,0 | 111,0 | 66,00 | |
| FD03.024 | | M24 | 15,0 | 48 | 5,5 | 12,0 | 81,0 | 151,0 | 106,00 | |
| FD03.045 | | Automatenstahl, verstärkte Federkraft | M5 | 3,0 | 14 | 0,9 | 2,5 | 15,0 | 22,0 | 1,20 |
| FD03.046 | | | M6 | 3,5 | 15 | 1,0 | 3,0 | 19,0 | 28,0 | 1,80 |
| FD03.048 | M8 | | 4,5 | 18 | 1,5 | 4,0 | 36,0 | 62,0 | 4,10 | |
| FD03.050 | M10 | | 6,0 | 23 | 2,0 | 5,0 | 57,0 | 104,0 | 8,20 | |
| FD03.052 | M12 | | 8,0 | 26 | 2,5 | 6,0 | 61,0 | 110,0 | 13,00 | |
| FD03.056 | M16 | | 10,0 | 33 | 3,5 | 8,0 | 68,0 | 142,0 | 32,00 | |
| FD03.060 | M20 | | 12,0 | 43 | 4,5 | 10,0 | 84,0 | 166,0 | 66,00 | |
| FD03.064 | M24 | | 15,0 | 48 | 5,5 | 12,0 | 127,0 | 237,0 | 106,00 | |
| FD03.203 | rostfreier Stahl, Standard-Federkraft | M3 | 1,5 | 8 | 0,4 | 1,5 | 3,0 | 4,5 | 0,28 | |
| FD03.204 | | M4 | 2,5 | 12 | 0,8 | 2,0 | 8,5 | 14,0 | 0,80 | |
| FD03.205 | | M5 | 3,0 | 14 | 0,9 | 2,5 | 8,0 | 14,0 | 1,30 | |
| FD03.206 | | M6 | 3,5 | 15 | 1,0 | 3,0 | 11,0 | 18,0 | 1,90 | |
| FD03.208 | | M8 | 4,5 | 18 | 1,5 | 4,0 | 18,0 | 31,0 | 4,10 | |
| FD03.210 | | M10 | 6,0 | 23 | 2,0 | 5,0 | 24,0 | 45,0 | 8,20 | |
| FD03.212 | | M12 | 8,0 | 26 | 2,5 | 6,0 | 26,0 | 49,0 | 13,00 | |
| FD03.216 | | M16 | 10,0 | 33 | 3,5 | 8,0 | 41,0 | 86,0 | 32,00 | |
| FD03.220 | | M20 | 12,0 | 43 | 4,5 | 10,0 | 56,0 | 111,0 | 67,00 | |
| FD03.224 | | M24 | 15,0 | 48 | 5,5 | 12,0 | 81,0 | 151,0 | 107,00 | |
| FD03.245 | | rostfreier Stahl, verstärkte Federkraft | M5 | 3,0 | 14 | 0,9 | 2,5 | 15,0 | 22,0 | 1,20 |
| FD03.246 | | | M6 | 3,5 | 15 | 1,0 | 3,0 | 19,0 | 28,0 | 1,90 |
| FD03.248 | M8 | | 4,5 | 18 | 1,5 | 4,0 | 36,0 | 62,0 | 4,20 | |
| FD03.250 | M10 | | 6,0 | 23 | 2,0 | 5,0 | 57,0 | 104,0 | 8,20 | |
| FD03.252 | M12 | | 8,0 | 26 | 2,5 | 6,0 | 61,0 | 110,0 | 13,00 | |
| FD03.256 | M16 | | 10,0 | 33 | 3,5 | 8,0 | 68,0 | 142,0 | 32,00 | |
| FD03.260 | M20 | | 12,0 | 43 | 4,5 | 10,0 | 84,0 | 166,0 | 66,00 | |
| FD03.264 | M24 | | 15,0 | 48 | 5,5 | 12,0 | 127,0 | 237,0 | 107,00 | |

* statistischer Mittelwert

FD03. Federnde Druckstücke mit Bolzen und Innensechskant

i **Produkteigenschaften**

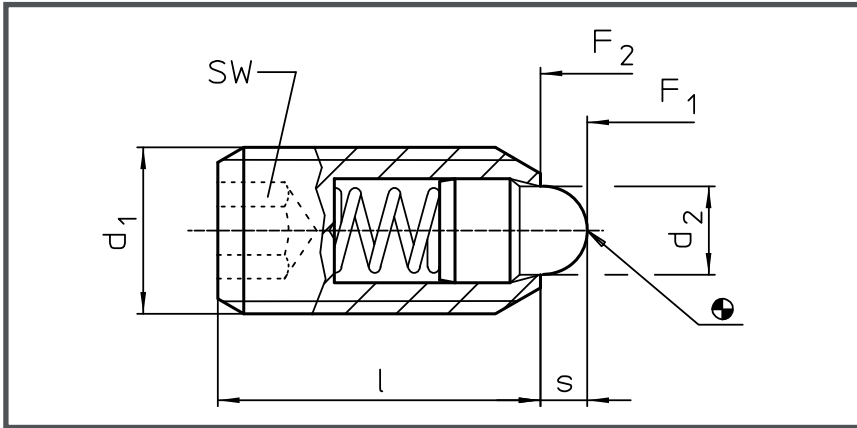
Hülse: -Automatenstahl, brüniert
-Rostfreier Stahl 1.4305

Bolzen: -Automatenstahl, gehärtet, brüniert
-Rostfreier Stahl 1.4305

Feder: -Rostfreier Stahl

Markierung: Bei verstärkter Federkraft
2 Längsmarkierungen

Zeichnung zu FD03.



| Best.-Nr. | Ausführung | d1 | d2 | l | s | SW | Federkraft F1 N = * | Federkraft F2 N = * | g |
|-----------|--|------|------|-----|------|------|------------------------|------------------------|-------|
| FD03.104 | Automatenstahl, Standard-Federkraft | M4 | 1,8 | 12 | 1,5 | 2,0 | 4,5 | 12,5 | 0,6 |
| FD03.105 | | M5 | 2,4 | 14 | 2,0 | 2,5 | 5,0 | 13,0 | 1,3 |
| FD03.106 | | M6 | 2,7 | 15 | 2,0 | 3,0 | 6,0 | 17,0 | 1,9 |
| FD03.108 | | M8 | 3,8 | 18 | 2,0 | 4,0 | 16,0 | 33,0 | 4,2 |
| FD03.110 | | M10 | 4,5 | 23 | 2,5 | 5,0 | 19,0 | 42,0 | 8,5 |
| FD03.112 | | M12 | 6,2 | 26 | 3,5 | 6,0 | 22,0 | 57,0 | 13,0 |
| FD03.116 | | M16 | 8,5 | 33 | 4,5 | 8,0 | 38,0 | 78,0 | 32,0 |
| FD03.120 | | M20 | 10,0 | 43 | 6,5 | 10,0 | 39,0 | 81,0 | 67,0 |
| FD03.124 | | M24 | 13,0 | 48 | 8,0 | 12,0 | 72,0 | 155,0 | 106,0 |
| FD03.146 | Automatenstahl, verstärkte Federkraft | M6 | 2,7 | 15 | 2,0 | 3,0 | 11,0 | 25,0 | 2,0 |
| FD03.148 | | M8 | 3,8 | 18 | 2,0 | 4,0 | 23,0 | 59,0 | 4,2 |
| FD03.150 | | M10 | 4,5 | 23 | 2,5 | 5,0 | 20,0 | 54,0 | 8,5 |
| FD03.152 | | M12 | 6,2 | 26 | 3,5 | 6,0 | 38,0 | 96,0 | 13,0 |
| FD03.156 | | M16 | 8,5 | 33 | 4,5 | 8,0 | 50,0 | 100,0 | 32,0 |
| FD03.160 | | M20 | 10,0 | 43 | 6,5 | 10,0 | 52,0 | 133,0 | 67,0 |
| FD03.164 | M24 | 13,0 | 48 | 8,0 | 12,0 | 91,0 | 223,0 | 106,0 | |
| FD03.304 | rostfreier Stahl, Standard-Federkraft | M4 | 1,8 | 12 | 1,5 | 2,0 | 4,5 | 12,5 | 0,7 |
| FD03.305 | | M5 | 2,4 | 14 | 2,0 | 2,5 | 5,0 | 13,0 | 1,2 |
| FD03.306 | | M6 | 2,7 | 15 | 2,0 | 3,0 | 6,0 | 17,0 | 2,1 |
| FD03.308 | | M8 | 3,8 | 18 | 2,0 | 4,0 | 16,0 | 33,0 | 4,2 |
| FD03.310 | | M10 | 4,5 | 23 | 2,5 | 5,0 | 19,0 | 42,0 | 8,6 |
| FD03.312 | | M12 | 6,2 | 26 | 3,5 | 6,0 | 22,0 | 57,0 | 13,0 |
| FD03.316 | | M16 | 8,5 | 33 | 4,5 | 8,0 | 38,0 | 78,0 | 32,0 |
| FD03.320 | | M20 | 10,0 | 43 | 6,5 | 10,0 | 39,0 | 81,0 | 67,0 |
| FD03.324 | | M24 | 13,0 | 48 | 8,0 | 12,0 | 72,0 | 155,0 | 104,0 |
| FD03.346 | rostfreier Stahl, verstärkte Federkraft | M6 | 2,7 | 15 | 2,0 | 3,0 | 11,0 | 25,0 | 1,9 |
| FD03.348 | | M8 | 3,8 | 18 | 2,0 | 4,0 | 23,0 | 59,0 | 4,4 |
| FD03.350 | | M10 | 4,5 | 23 | 2,5 | 5,0 | 20,0 | 54,0 | 8,6 |
| FD03.352 | | M12 | 6,2 | 26 | 3,5 | 6,0 | 38,0 | 96,0 | 14,0 |
| FD03.356 | | M16 | 8,5 | 33 | 4,5 | 8,0 | 50,0 | 100,0 | 32,0 |
| FD03.360 | | M20 | 10,0 | 43 | 6,5 | 10,0 | 52,0 | 133,0 | 68,0 |
| FD03.364 | | M24 | 13,0 | 48 | 8,0 | 12,0 | 91,0 | 223,0 | 105,0 |

* statistischer Mittelwert