

**N 219. Führungssäule**  
für Großwerkzeuge

Bestellbeispiel:

N219.023.100 Führungssäule,  
Säulendurchmesser  $d_1 = 23$  mm, Länge  $L_1 = 100$  mm

**i** Produkteigenschaften

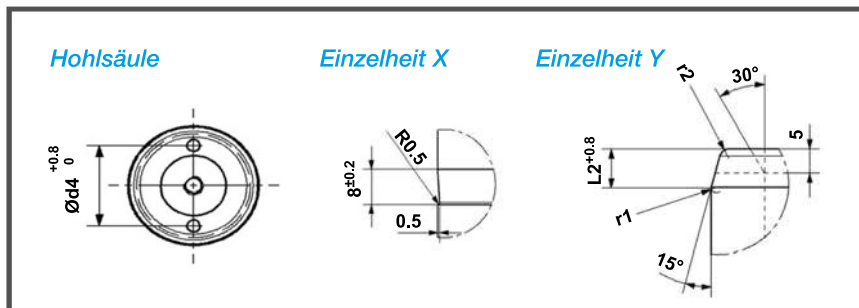
**Material:** Stahl gehärtet  
**Ausführung:** Zentrierbohrung nach DIN 332, Form B, bis  $\varnothing 80$  beidseitig.  
**Transportgewinde:**  
Vollsäule ab  $\varnothing 80$  einseitig M12 x 24  
Hohlsäule ab  $\varnothing 100$  zwei Mal M8 x 24

**N 219. Führungssäule**

| $d_1$<br>$f_6$ | $d_2$<br>$r_6$ | $d_3$ | $d_4$ | L1  |     |     |     |     |     |     |     |     |     |     |     |     |     |     |     | L2 | L3 | L4 | r1  | r2 |     |     |
|----------------|----------------|-------|-------|-----|-----|-----|-----|-----|-----|-----|-----|-----|-----|-----|-----|-----|-----|-----|-----|----|----|----|-----|----|-----|-----|
|                |                |       |       | 100 | 125 | 140 | 160 | 180 | 200 | 224 | 250 | 280 | 315 | 355 | 400 | 450 | 500 | 550 | 560 |    |    |    |     |    | 600 | 650 |
| 23             | 25             |       |       | ●   | ●   |     | ●   |     |     |     |     |     |     |     |     |     |     |     |     |    | 4  |    | 40  |    |     |     |
| 25             | 25             |       |       | ●   | ●   | ●   | ●   | ●   | ●   |     |     |     |     |     |     |     |     |     |     |    |    | 8  |     | 45 | 3   | 2   |
| 32             | 32             |       |       |     | ●   | ●   | ●   | ●   | ●   |     |     |     |     |     |     |     |     |     |     |    |    |    | 56  |    |     |     |
| 40             | 40             |       |       |     | ●   | ●   | ●   | ●   | ●   | ●   | ●   |     |     |     |     |     |     |     |     |    |    |    | 70  | 5  |     |     |
| 42             | 40             |       |       |     |     |     |     |     | ●   | ●   | ●   |     |     |     |     |     |     |     |     |    |    |    | 80  | 6  | 2,5 |     |
| 50             | 50             |       |       |     |     |     | ●   | ●   | ●   | ●   | ●   | ●   | ●   | ●   |     |     |     |     |     |    |    |    | 100 | 8  |     |     |
| 52             | 50             |       |       |     |     |     |     |     | ●   | ●   | ●   |     |     | ●   |     |     |     |     |     |    |    |    |     |    |     |     |
| 63             | 63             |       |       |     |     |     |     | ●   | ●   | ●   | ●   | ●   | ●   | ●   | ●   | ●   |     |     |     |    |    |    |     |    |     |     |
| 65             | 63             |       |       |     |     |     |     |     |     | ●   | ●   | ●   |     |     |     |     |     |     |     |    |    |    |     |    |     |     |
| 80             | 80             |       |       |     |     |     |     |     | ●   | ●   | ●   | ●   | ●   | ●   | ●   | ●   |     |     |     |    |    |    |     |    |     |     |
| 80             | 80             | 40    | -     |     |     |     |     |     |     | ●   | ●   | ●   | ●   | ●   | ●   |     |     |     |     |    |    |    |     |    |     |     |
| 100            | 100            |       |       |     |     |     |     |     |     | ●   | ●   | ●   | ●   | ●   | ●   | ●   |     | ●   |     |    |    |    |     |    | 3   |     |
| 100            | 100            | 50    | 62    |     |     |     |     |     |     |     | ●   | ●   | ●   | ●   | ●   | ●   | ●   |     | ●   | ●  |    |    | 125 | 10 |     |     |
| 115            | 115            |       |       |     |     |     |     |     |     |     |     |     |     | ●   |     |     |     |     |     |    |    |    |     |    |     |     |
| 125            | 125            |       |       |     |     |     |     |     |     |     |     |     | ●   | ●   | ●   | ●   | ●   |     |     |    |    |    |     |    |     |     |
| 125            | 125            | 65    | 82    |     |     |     |     |     |     |     |     |     | ●   | ●   | ●   | ●   | ●   | ●   | ●   | ●  |    |    | 140 | 12 |     |     |
| 160            | 160            |       |       |     |     |     |     |     |     |     |     |     |     |     | ●   | ●   | ●   | ●   | ●   | ●  |    |    |     |    | 4   |     |
| 160            | 160            | 95    | 119   |     |     |     |     |     |     |     |     |     |     |     | ●   | ●   | ●   | ●   | ●   | ●  |    |    | 180 | 18 |     |     |



Zeichnung zu N 219.



Zeichnung zu N 219.

